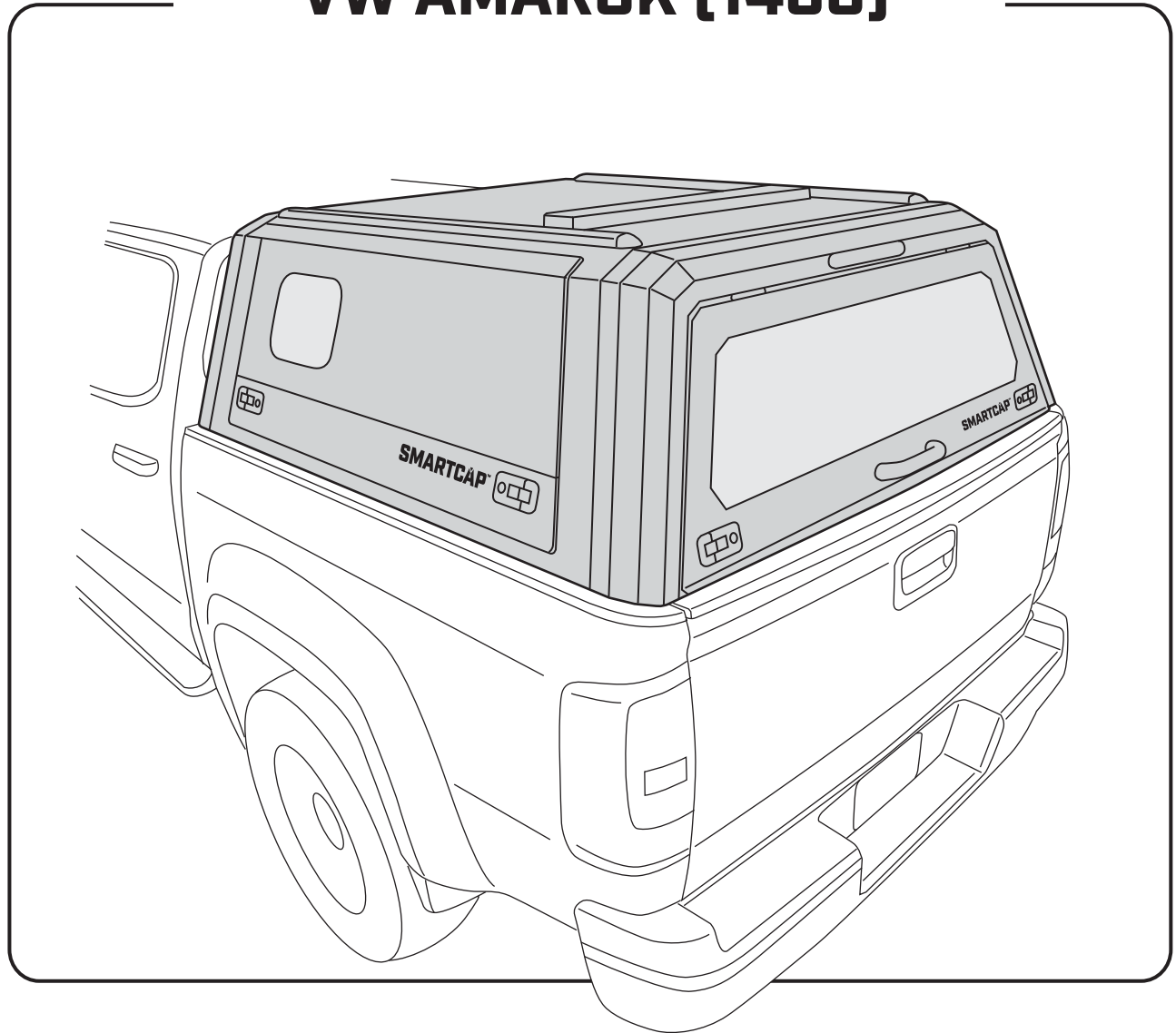


SMARTCAP®

VW AMAROK (1400)



- ▼ **PREPARE A CLEAN WORK AREA.**
- ▼ **WE RECOMMEND A MINIMUM OF 2 PEOPLE FOR ASSEMBLY.**
- ▼ **ENSURE THE REQUIRED TOOLS ARE PRESENT AND ALL HARDWARE CONTENTS ARE ACCOUNTED FOR.**
- ▼ **NEVER USE ACETONE OR THINNERS ON PAINTED PARTS.**
- ▼ **READ THROUGH THE ENTIRE INSTRUCTION GUIDE BEFORE STARTING THIS PROCEDURE AND FOLLOW THE STEPS CAREFULLY TO AVOID ANY DAMAGE TO THE COMPONENTS OR THE VEHICLE.**

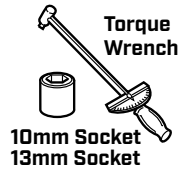
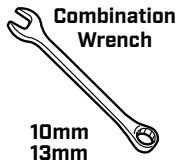
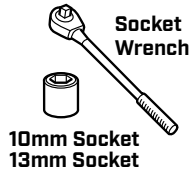
SMARTCAP.COM

SUPPORT.NA@SMARTCAP.COM - NORTH AMERICA

SUPPORT.SA@SMARTCAP.COM - REST OF WORLD



TOOLS REQUIRED



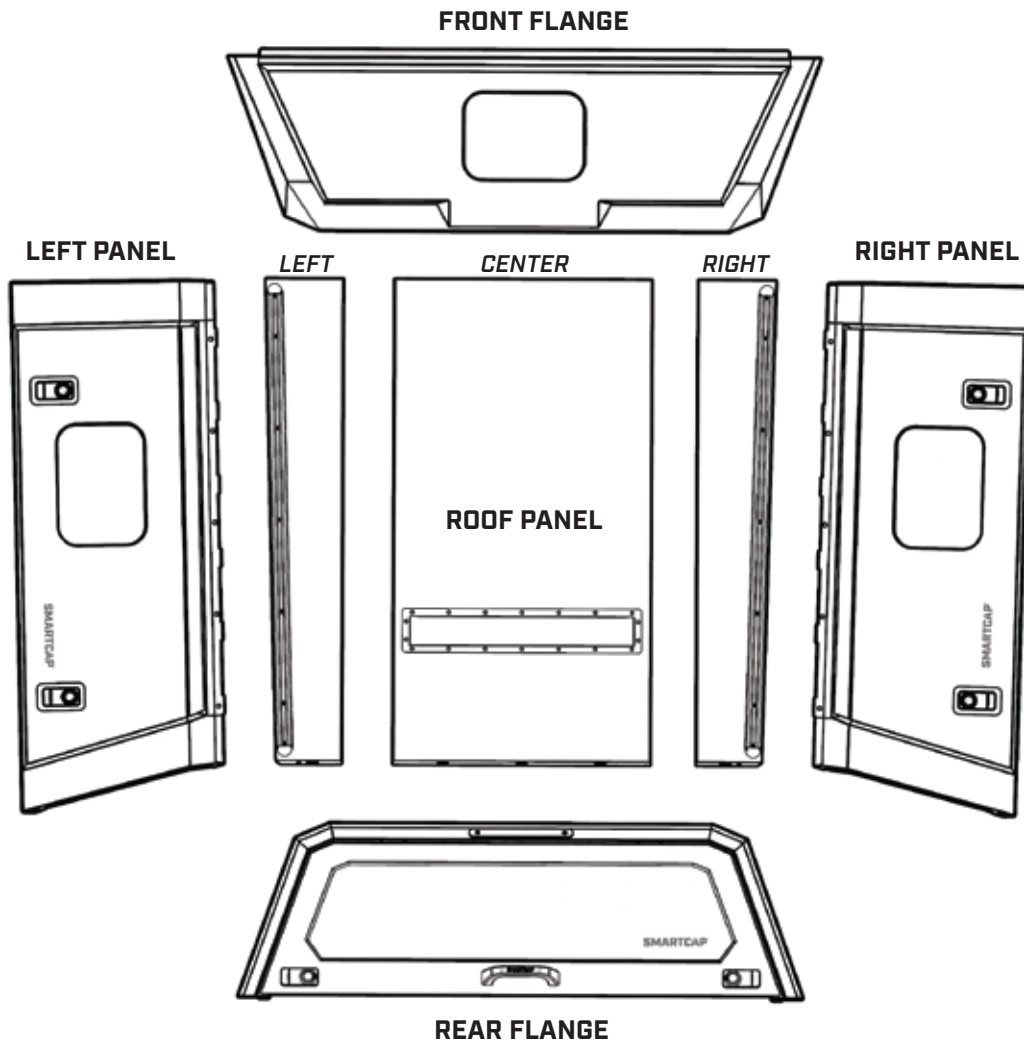
LAND CRUISER ONLY



IMPORTANT

- ▼ USE ONLY THE TOOLS RECOMMENDED ABOVE.
- ▼ USE ONLY THE HARDWARE PROVIDED IN THIS KIT.
- ▼ ASSISTANCE WILL BE NEEDED FOR THIS INSTALLATION.
FOUR PEOPLE ARE RECOMMENDED TO LIFT THE SMARTCAP ONTO THE VEHICLE.
- ▼ AVOID PINCHING OR CRUSHING HANDS AND FINGERS.
- ▼ INSPECT ALL KIT COMPONENTS FOR DAMAGE BEFORE ASSEMBLY.
- ▼ NEVER USE ACETONE OR THINNERS ON PAINTED PARTS.

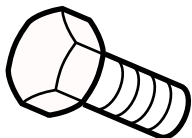
COMPONENTS



ASSEMBLY HARDWARE

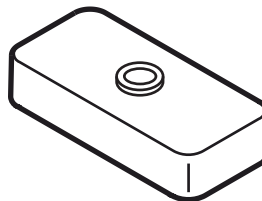
FITMENT KIT

M6 BOLT



42X

**FASTENER
BLOCK CLAMP**



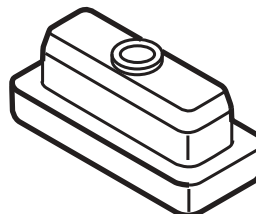
42X

**M6 LOCK
WASHER**



42X

**FASTENER
BLOCK**



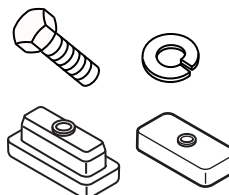
42X

D - RUBBER



1X

SPARE PARTS



2X

PRE-FASTENED TO ROOF PANEL

**M6 FENDER
WASHER**



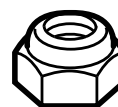
12X

SHORT BED

14X

STANDARD BED

**M6 LOCK
NUT**



12X

SHORT BED

14X

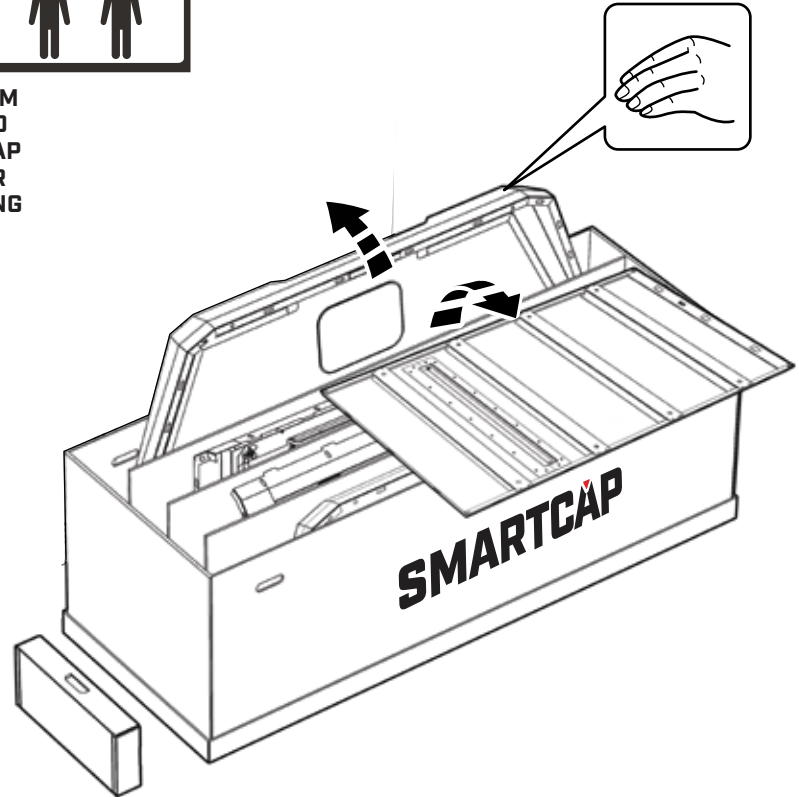
STANDARD BED

STEP 1



IMPORTANT

BE SURE TO REMOVE ALL SEVEN PANELS FROM THEIR PACKAGING AND INSPECT THE PAINTED SURFACES PRIOR TO ASSEMBLY, AS SMARTCAP WILL NOT ACCEPT WARRANTY CLAIMS AFTER ASSEMBLY IS COMPLETED. IF MANUFACTURING IMPERFECTIONS OR SHIPPING DAMAGES ARE FOUND, DO NOT CONTINUE WITH THE ASSEMBLY PROCESS AND CONTACT SUPPORT.SA@SMARTCAP.COM.

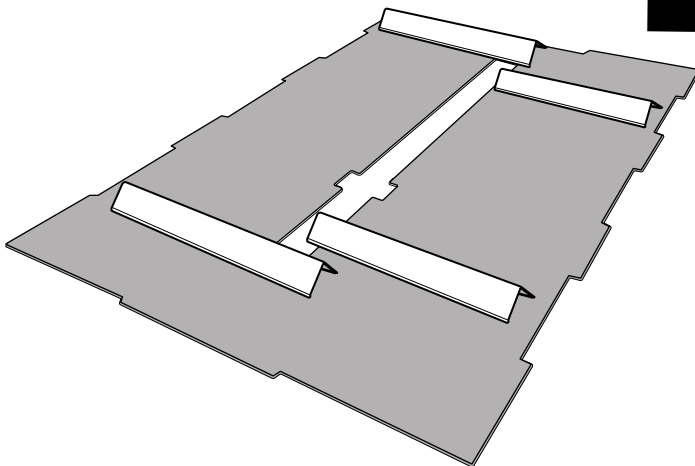
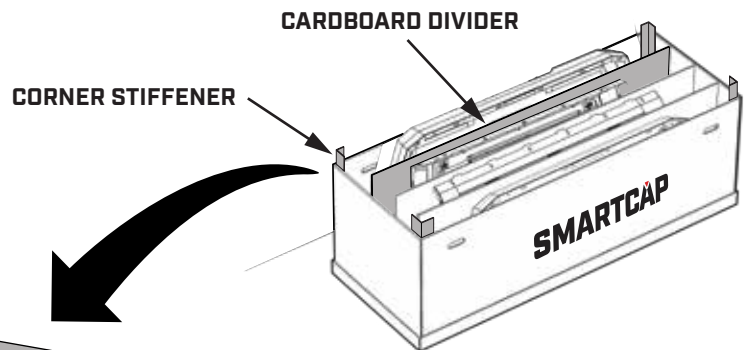


STEP 2

REMOVE THE FOUR CORNER STIFFENERS AND ONE OF THE CARDBOARD DIVIDERS TO BE USED AS A PROTECTIVE SURFACE DURING ASSEMBLY.

UNFOLD THE CARDBOARD DIVIDER AND PLACE IT WHERE YOU PLAN TO ASSEMBLE YOUR CAP.

PLACE THE FOUR CORNER STIFFENERS AS SHOWN BELOW.

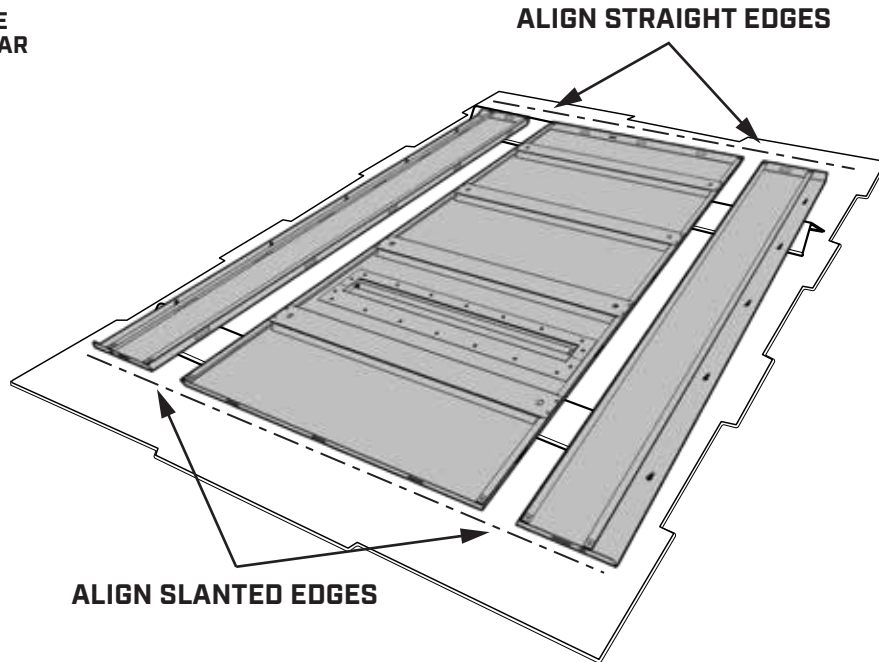


USE AS WORK SURFACE

STEP 3

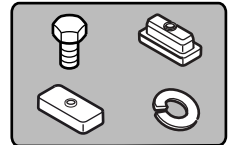
PLACE THE ROOF PANELS ON TOP OF THE CORNER STIFFENERS, WITH THE BOTTOM OF THE ROOF PANELS FACING UP.

ALIGN THE PANELS SO THAT THE PROFILE OF THE FRONT AND REAR EDGES MATCH.

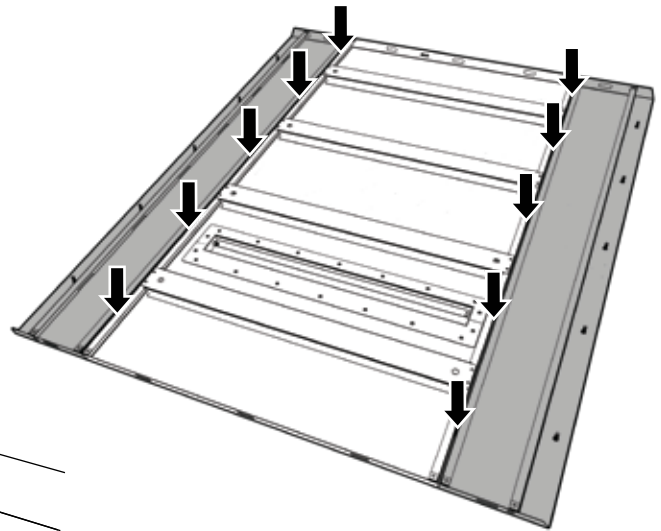


STEP 4

ASSEMBLE THE FASTENER BLOCKS TO THE ROOF PANELS USING A TORQUE WRENCH AND 10MM SOCKET TO 3.7 FT. LBS [5 NEWTON METERS].



MAKE SURE ROOF PANELS ARE LEVEL



12X SHORT BED

14X STANDARD BED

10mm



M6 BOLT

BLOCK CLAMP

M6 LOCK WASHER

FASTENER BLOCK

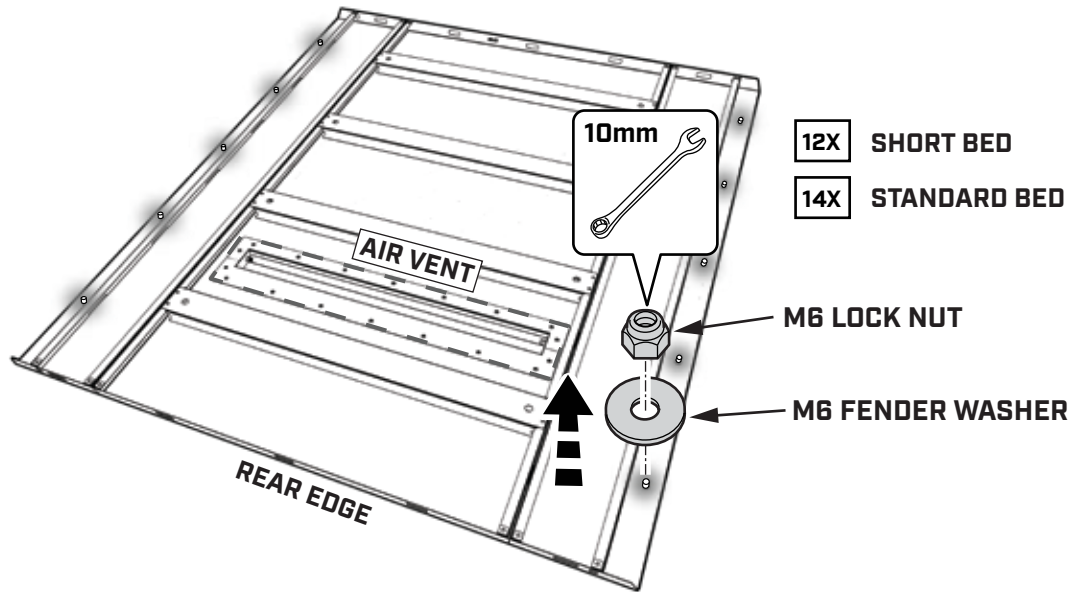
[3.7 ft. lbs]/[5 Nm]

STEP 5

USE A 10MM COMBINATION WRENCH TO REMOVE THE LOCK NUTS AND FENDER WASHERS FROM THE ROOF BOLTS AND SAVE FOR REUSE.



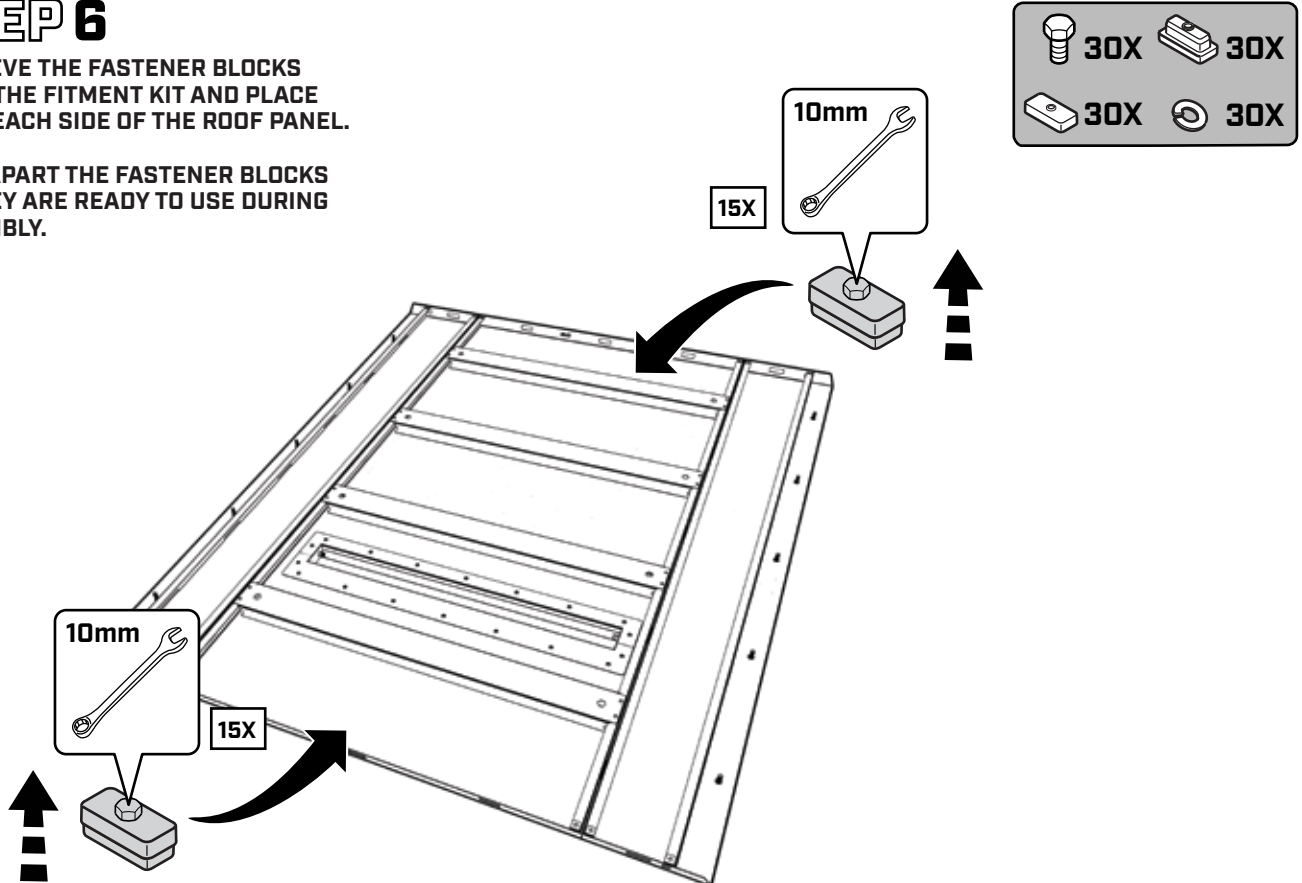
AIR VENT INDICATES REAR OF CANOPY



STEP 6

RETRIEVE THE FASTENER BLOCKS FROM THE FITMENT KIT AND PLACE 15 ON EACH SIDE OF THE ROOF PANEL.

TAKE APART THE FASTENER BLOCKS SO THEY ARE READY TO USE DURING ASSEMBLY.

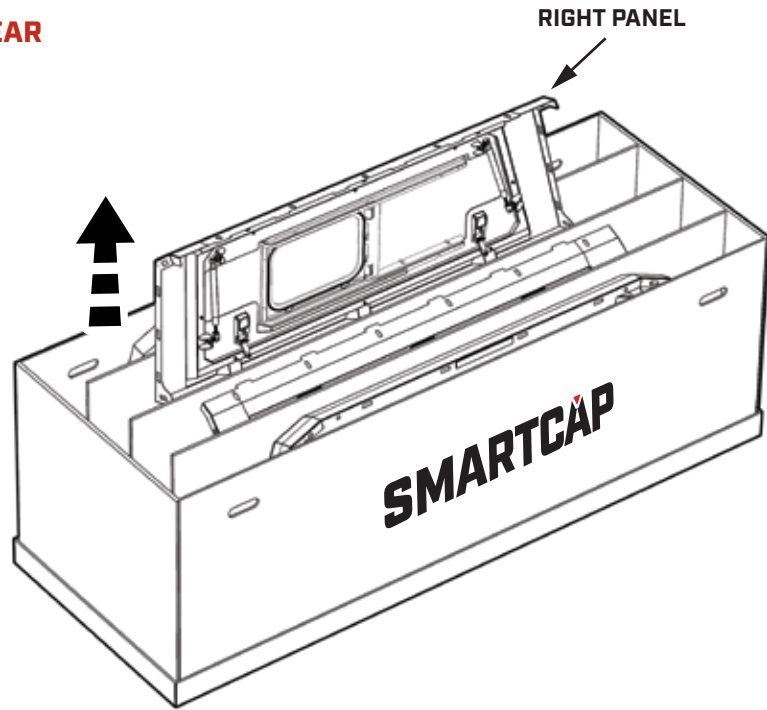


STEP 7

LOCATE THE RIGHT PANEL IN THE SMARTCAP PACKAGE AND BRING IT TO YOUR WORK AREA.



SLANTED EDGE INDICATES REAR OF CANOPY

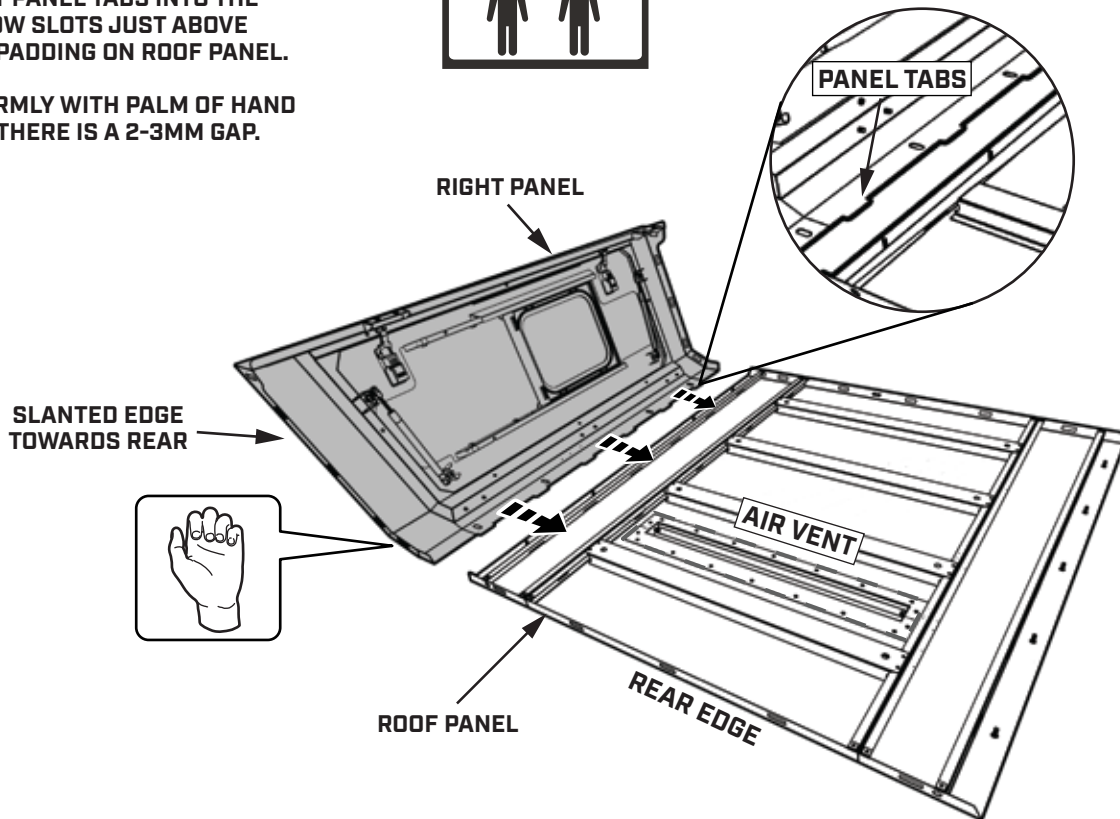


STEP 8

INSERT PANEL TABS INTO THE NARROW SLOTS JUST ABOVE FOAM PADDING ON ROOF PANEL.

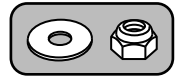


TAP FIRMLY WITH PALM OF HAND UNTIL THERE IS A 2-3MM GAP.

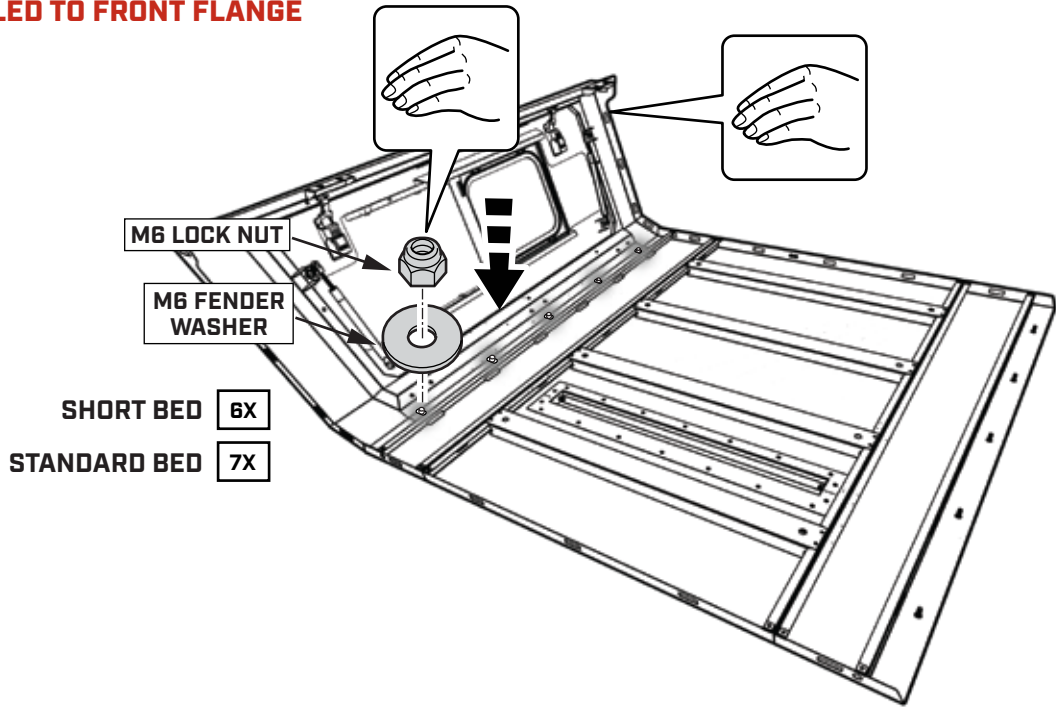


STEP 9

HAND TIGHTEN M6 LOCK NUT WITH M6 FENDER WASHER TO ALL BOLTS.

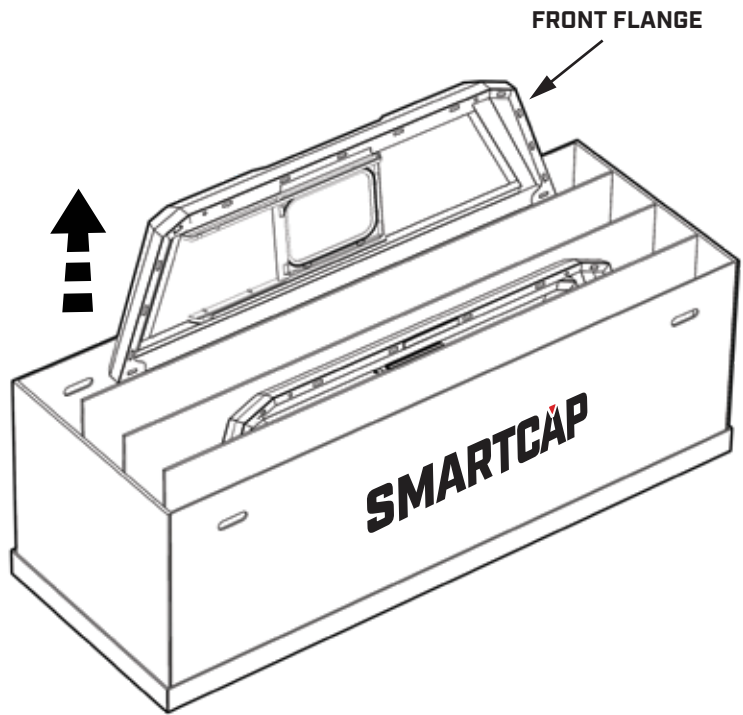


SUPPORT RIGHT PANEL UNTIL ASSEMBLED TO FRONT FLANGE



STEP 10

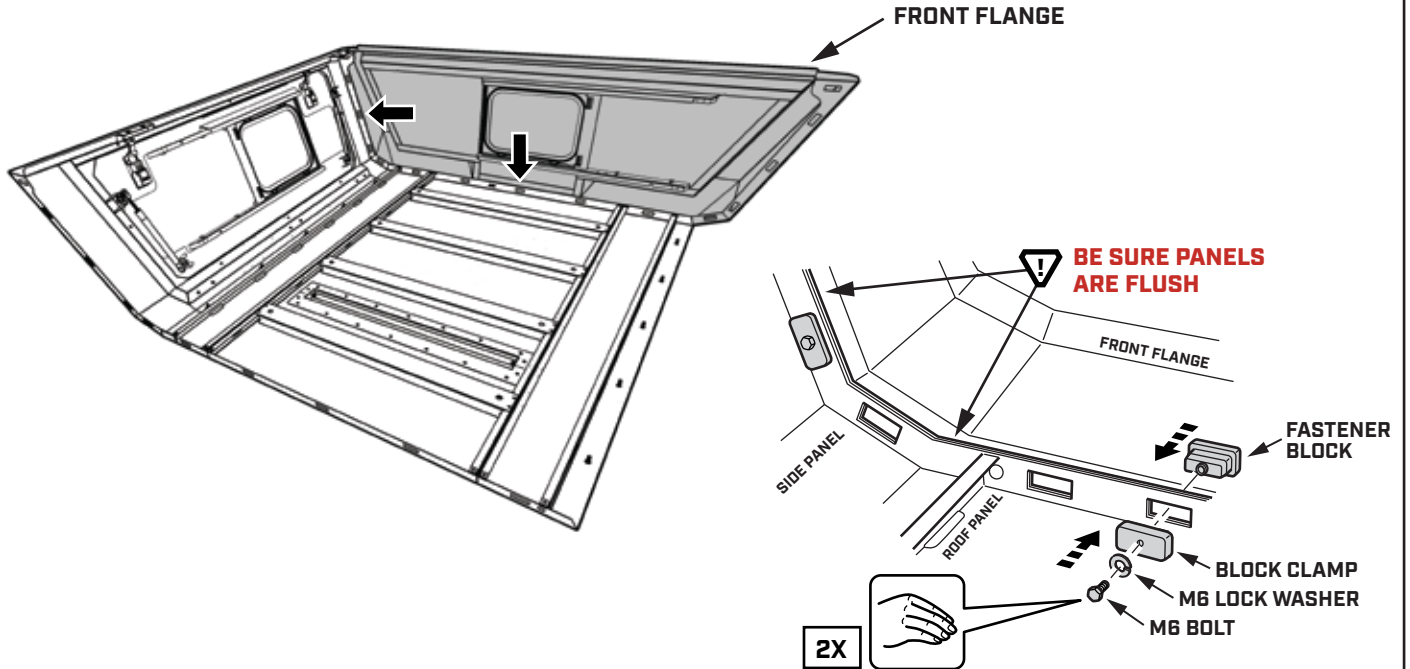
LOCATE THE FRONT FLANGE IN THE SMARTCAP PACKAGE AND BRING IT TO YOUR WORK AREA.



STEP 11

PLACE FRONT FLANGE AS SHOWN BELOW.

HAND TIGHTEN TWO FASTENER BLOCKS AT THE INDICATED LOCATIONS TO SUPPORT THE RIGHT PANEL AND FRONT FLANGE.

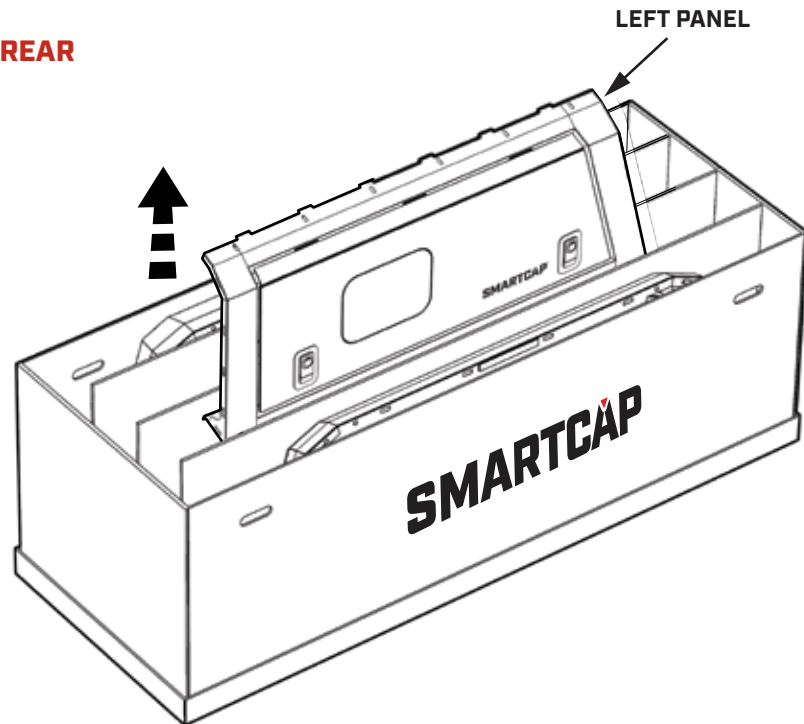


STEP 12

LOCATE THE LEFT PANEL IN THE SMARTCAP PACKAGE AND BRING IT TO YOUR WORK AREA.



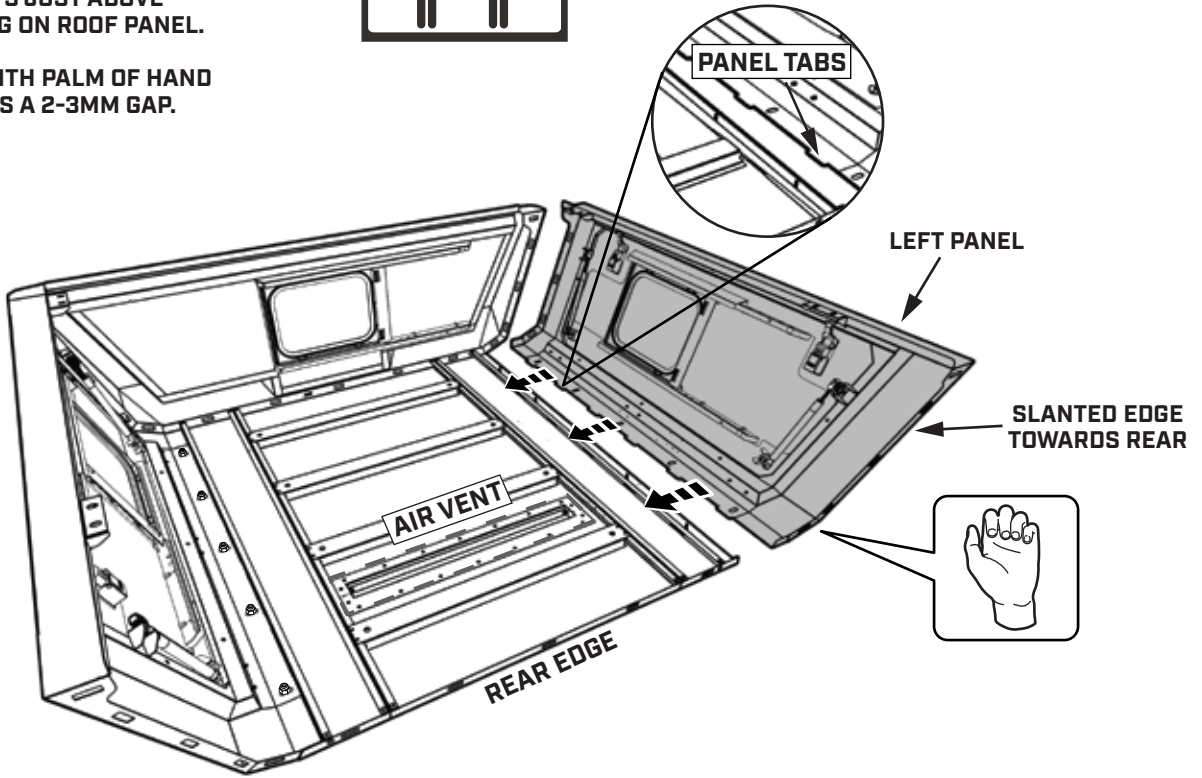
SLANTED EDGE INDICATES REAR



STEP 13

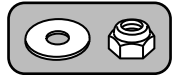
INSERT PANEL TABS INTO THE NARROW SLOTS JUST ABOVE FOAM PADDING ON ROOF PANEL.

TAP FIRMLY WITH PALM OF HAND UNTIL THERE IS A 2-3MM GAP.

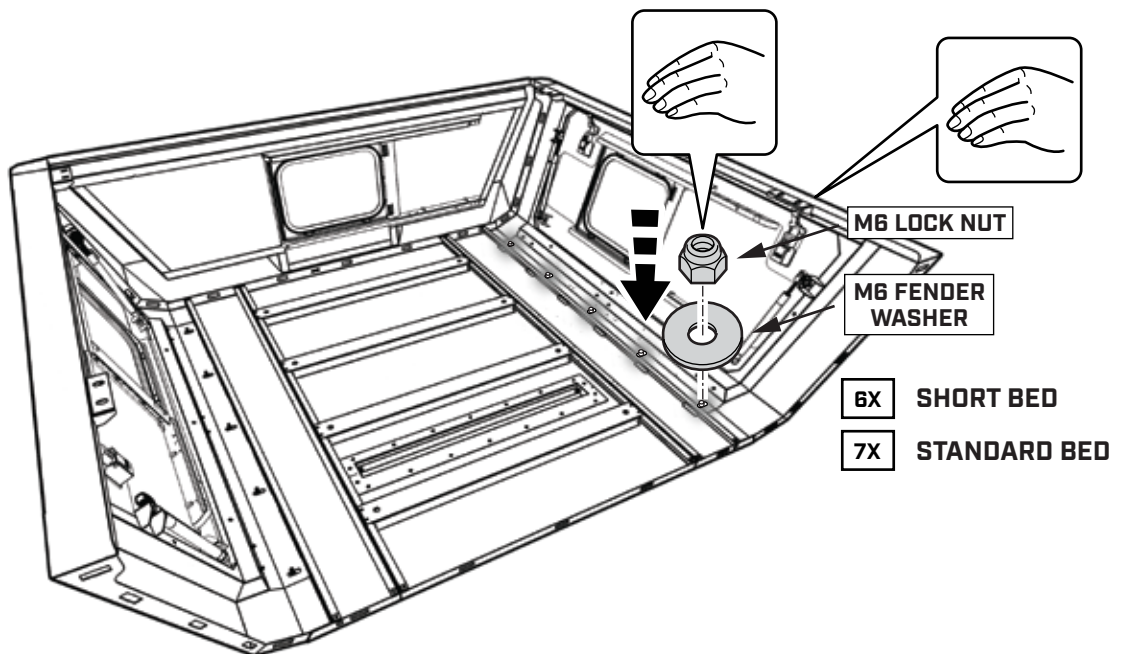


STEP 14

HAND TIGHTEN M6 LOCK NUT WITH M6 FENDER WASHER TO ALL BOLTS.



 **SUPPORT LEFT PANEL UNTIL ASSEMBLED TO FRONT FLANGE**



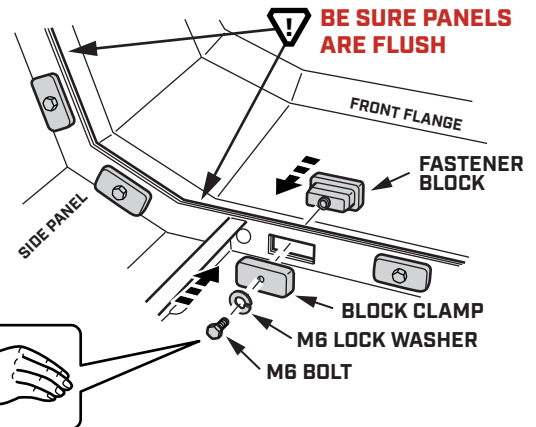
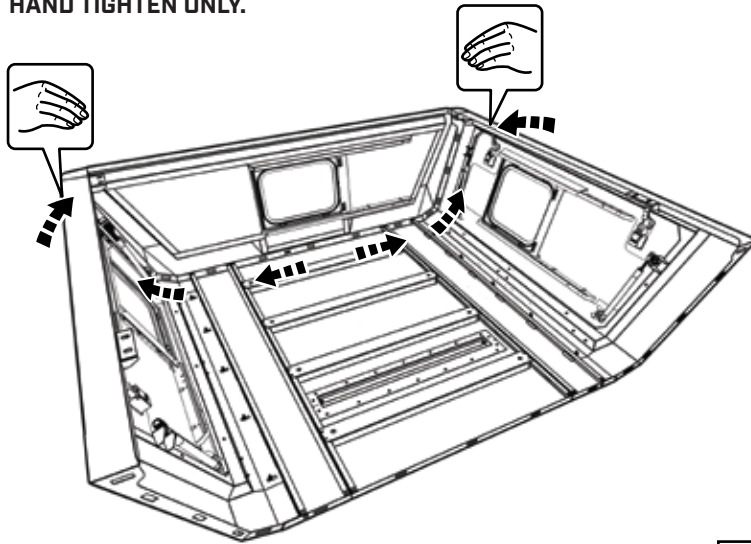
STEP 15

INSTALL HARDWARE ALONG FRONT FLANGE WITH BOLT ON INSIDE.

START AT CENTER OF THE FRONT FLANGE AND WORK YOUR WAY OUTWARDS.

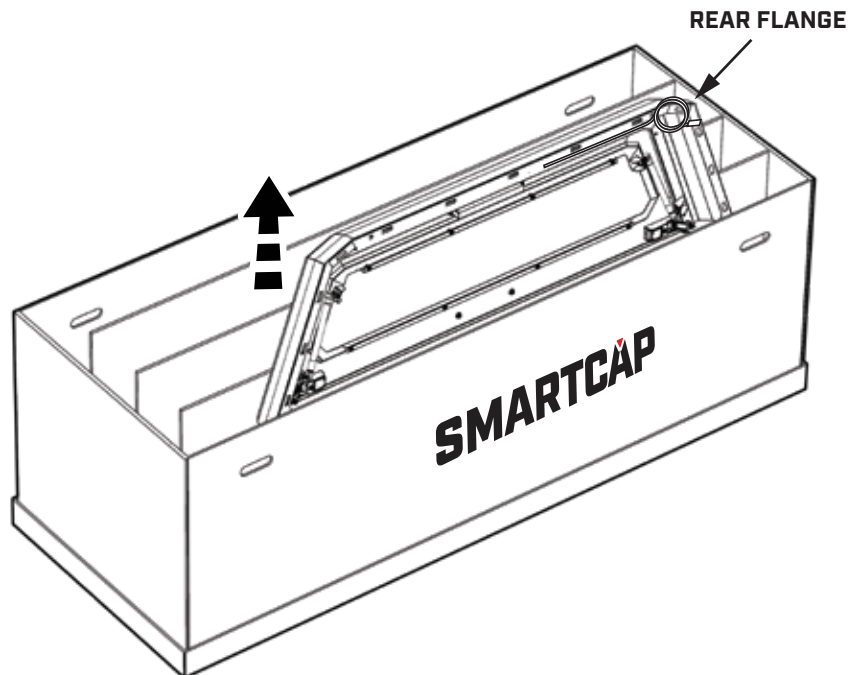
ADJUST LEFT AND RIGHT PANELS TO ALIGN THE FASTENER BLOCK HOLES.

HAND TIGHTEN ONLY.



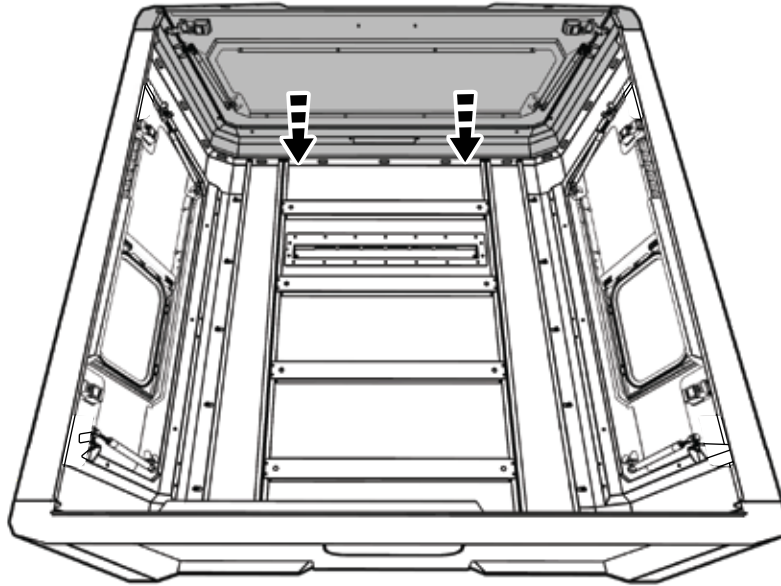
STEP 16

LOCATE THE REAR FLANGE IN THE SMARTCAP PACKAGE AND BRING IT TO YOUR WORK AREA.



STEP 17

PLACE REAR FLANGE AS SHOWN BELOW.



STEP 18

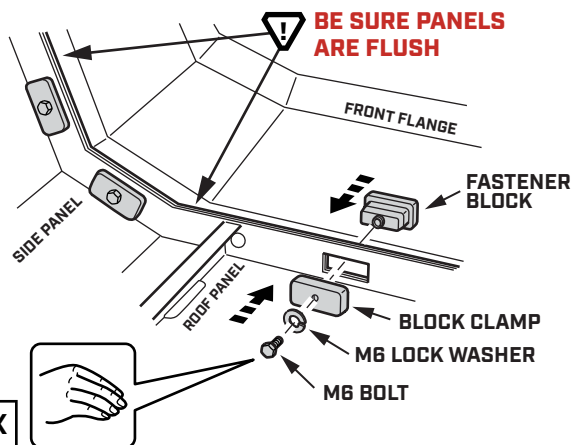
INSTALL HARDWARE ALONG REAR FLANGE WITH BOLT ON INSIDE.



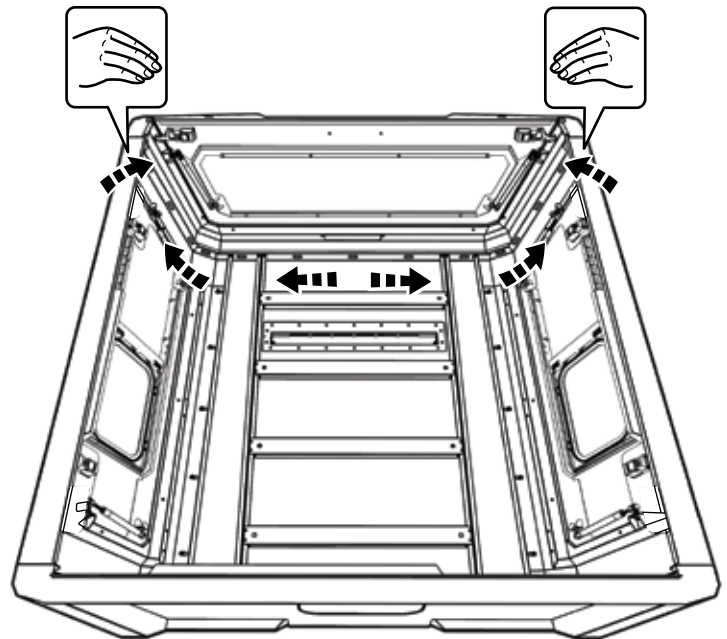
START AT CENTER OF THE REAR FLANGE AND WORK YOUR WAY OUTWARDS.

ADJUST LEFT AND RIGHT PANELS TO ALIGN THE FASTENER BLOCK HOLES.

HAND TIGHTEN ONLY.

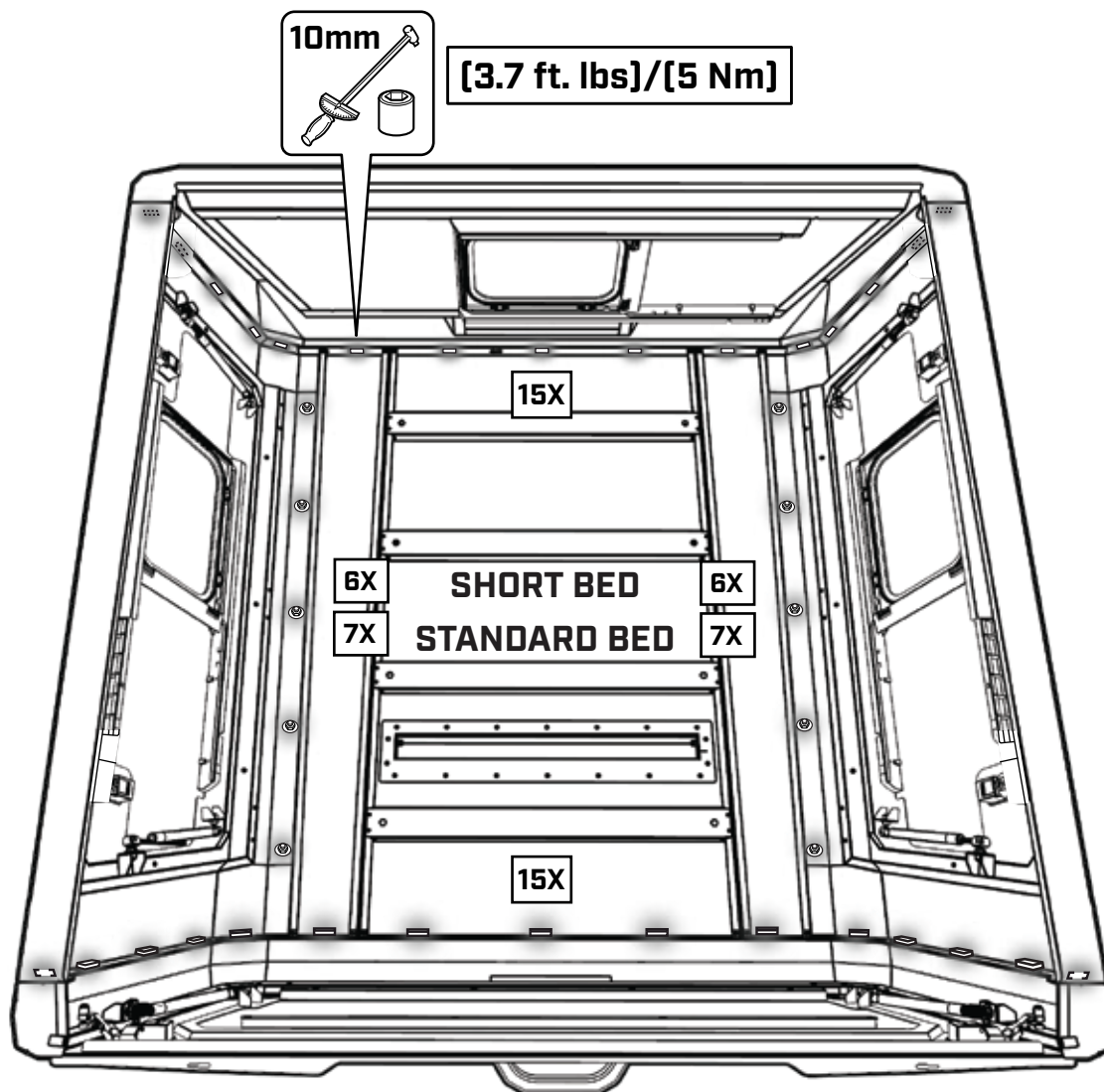


15X



STEP 19

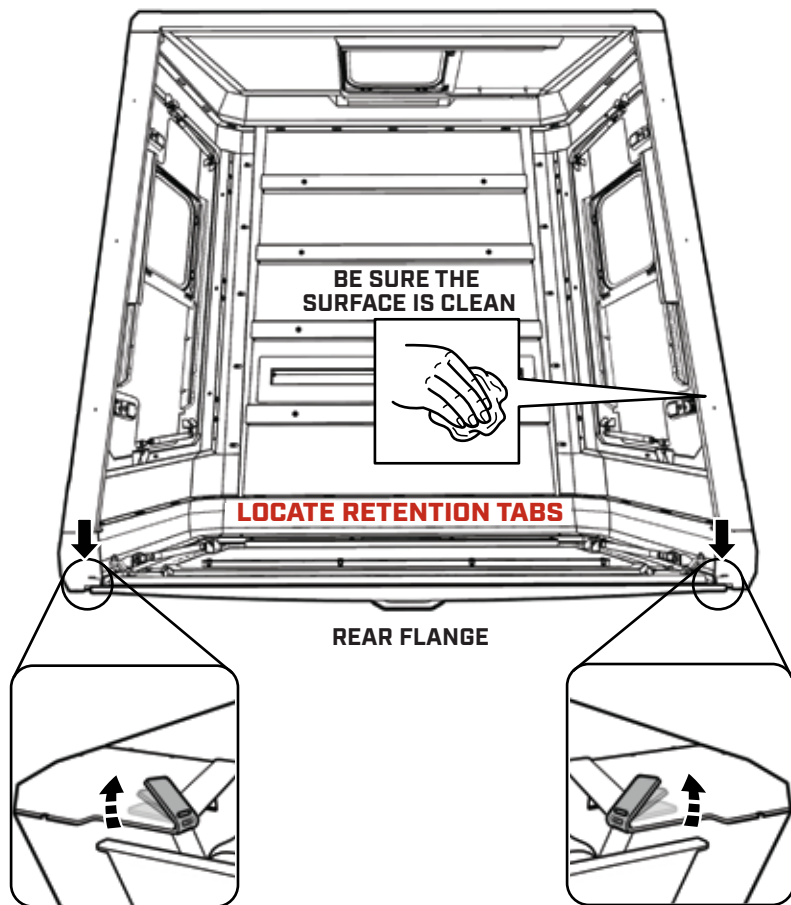
TIGHTEN ALL HARDWARE WITH TORQUE WRENCH
AND 10MM SOCKET TO 3.7 FT. LBS. (5 NEWTON METERS)



STEP 20

ENSURE THE ENTIRE BOTTOM EDGE OF THE SMARTCAP IS CLEAN.

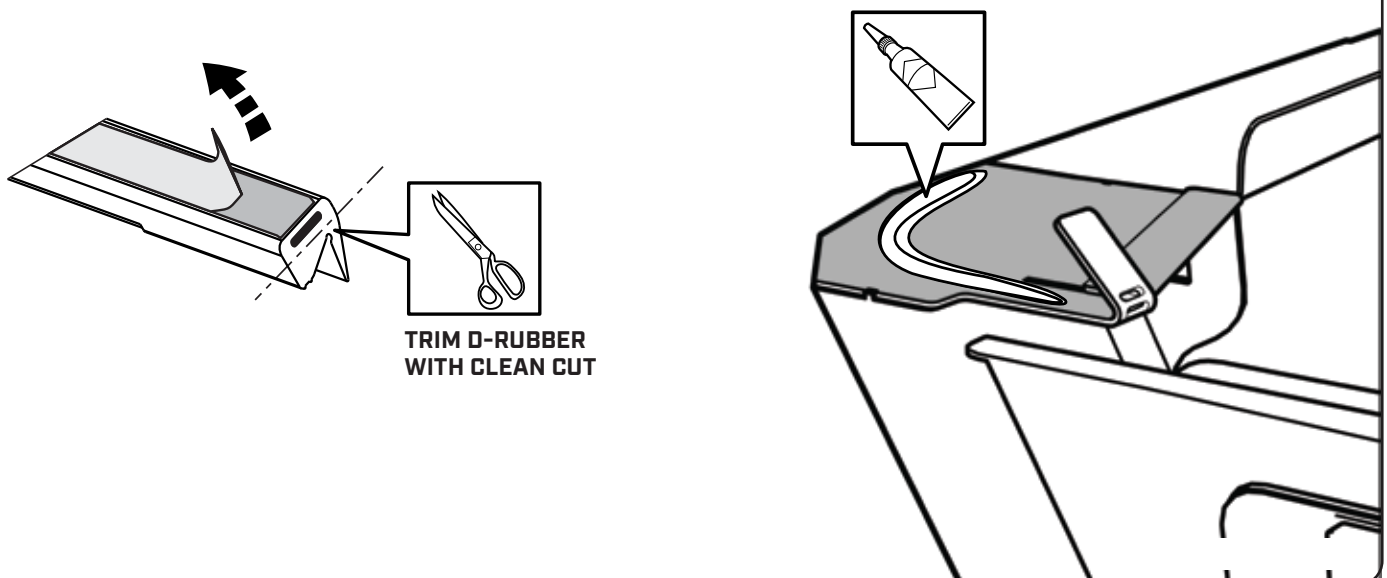
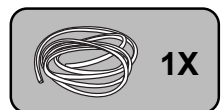
LOCATE BOTH RETENTION TABS ON THE REAR FLANGE AND BEND EACH TO A 45-DEGREE ANGLE FOR D-RUBBER FITMENT.



STEP 21

TRIM THE D-RUBBER WITH A CLEAN, STRAIGHT CUT.

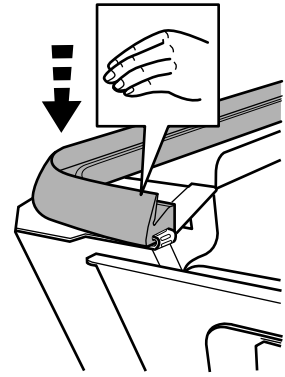
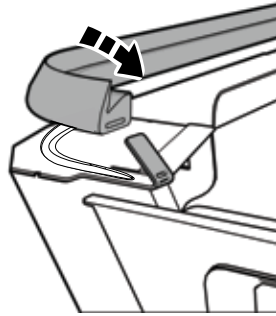
APPLY 2-3 INCHES SUPER GLUE NEAR THE RETENTION TABS, ALONG THE BOTTOM EDGE OF THE REAR FLANGE



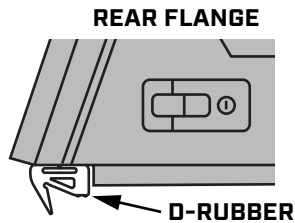
STEP 22

FULLY INSERT THE RETENTION TAB INTO THE SLOT ON THE D-RUBBER. ENSURE THE D-RUBBER IS ORIENTED CORRECTLY WITH ITS PROFILE MATCHING THE CONTOUR OF THE REAR FLANGE.

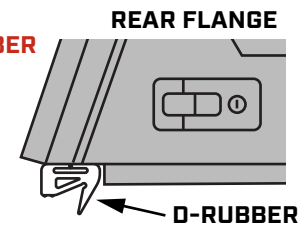
PRESS DOWN FIRMLY ON THE TAB AND THE D-RUBBER TO BOND IT TO THE REAR FLANGE, CREATING A TIGHT SEAL.



CORRECT D-RUBBER ORIENTATION



INCORRECT D-RUBBER ORIENTATION

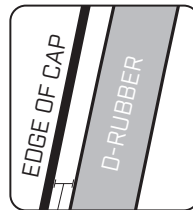


STEP 23

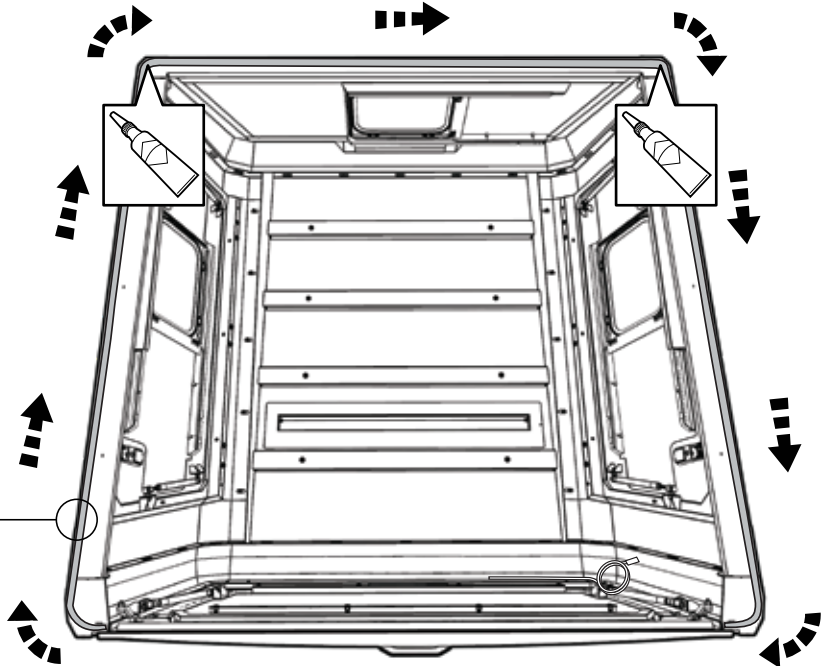
ALIGN THE D-RUBBER ALONG THE SMARTCAP'S EDGE, MAINTAINING A CONSISTENT 1/8 INCH GAP FROM THE EDGE.

START FROM ONE CORNER AND WORK YOUR WAY AROUND THE CAP TO ENSURE PROPER PLACEMENT AND ALIGNMENT.

REINFORCE CORNERS WITH SUPER GLUE.



1/8 INCH FROM EDGE



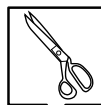
STEP 24

VERSION A

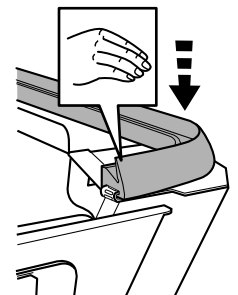
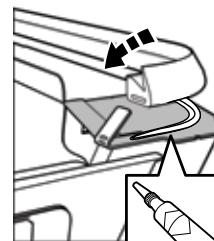
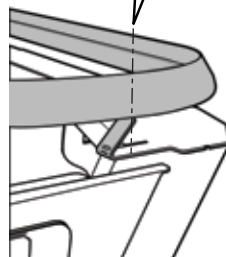
TRIM ANY EXCESS D-RUBBER BEYOND THE EDGE FOR A NEAT FINISH.

APPLY 2-3 INCHES OF SUPER GLUE NEAR THE RETENTION TAB, ALONG THE BOTTOM EDGE OF THE REAR FLANGE. FULLY INSERT THE RETENTION TAB INTO THE SLOT ON THE D-RUBBER.

PRESS DOWN FIRMLY ON THE TAB AND THE D-RUBBER TO BOND IT TO THE REAR FLANGE, CREATING A TIGHT SEAL.



TRIM D-RUBBER WITH CLEAN CUT



INSTALLATION HARDWARE AND TOOLS REQUIRED



M8 BOLT X 22



UTILITY KNIFE



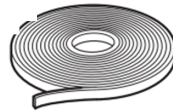
M8 FENDER WASHER X 30



SCISSORS



M8 SPRING WASHER X 12



FOAM SEAL X 1



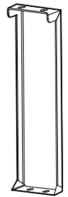
M8 LOCK NUT X 10



THICK RUBBER PAD X 8



FRONT BRACKET
1 X LEFT SIDE
1 X RIGHT SIDE



REAR BRACKET
1 X LEFT SIDE
1 X RIGHT SIDE



SOCKET WRENCH
M10 SOCKET
M13 SOCKET



COMBINATION WRENCH

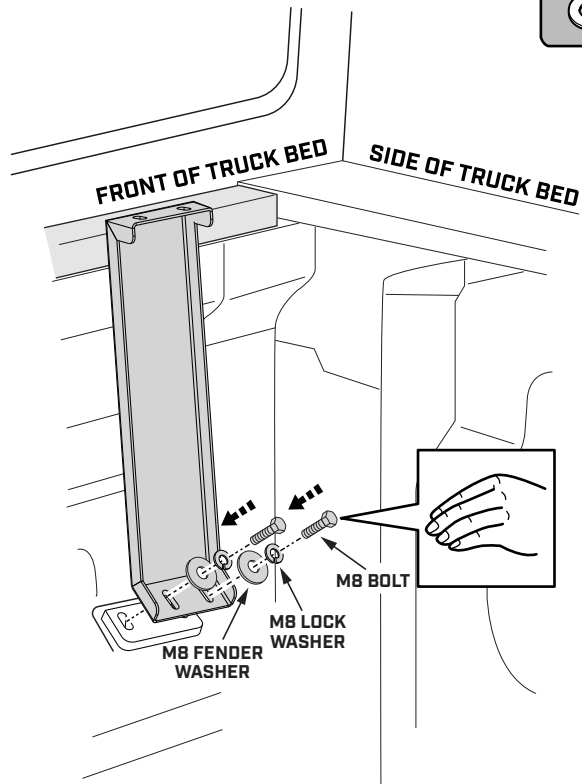
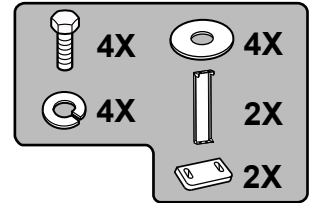


TORQUE WRENCH
M10 SOCKET
M13 SOCKET

STEP 1

REMOVE THE FRONT TIE DOWN HOOK FROM THE OUTER WALL OF THE TRUCK BED.

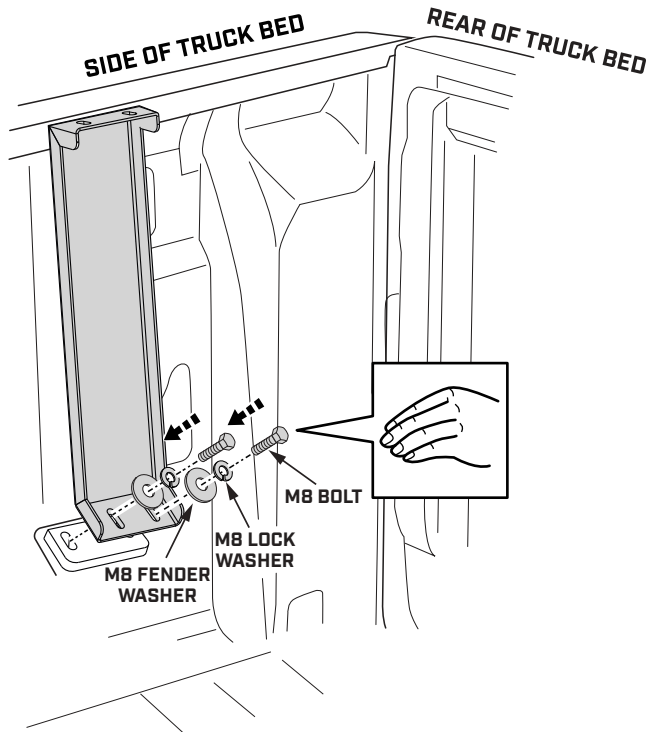
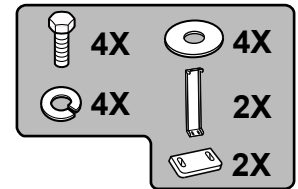
HAND TIGHTEN BOTH FRONT BRACKETS TO TRUCK BED WITH M8 BOLT, M8 LOCK WASHER, TIE DOWN HOOK AND M8 FENDER WASHER AS SHOWN.



STEP 2

REMOVE THE REAR TIE DOWN HOOK FROM THE OUTER WALL OF THE TRUCK BED.

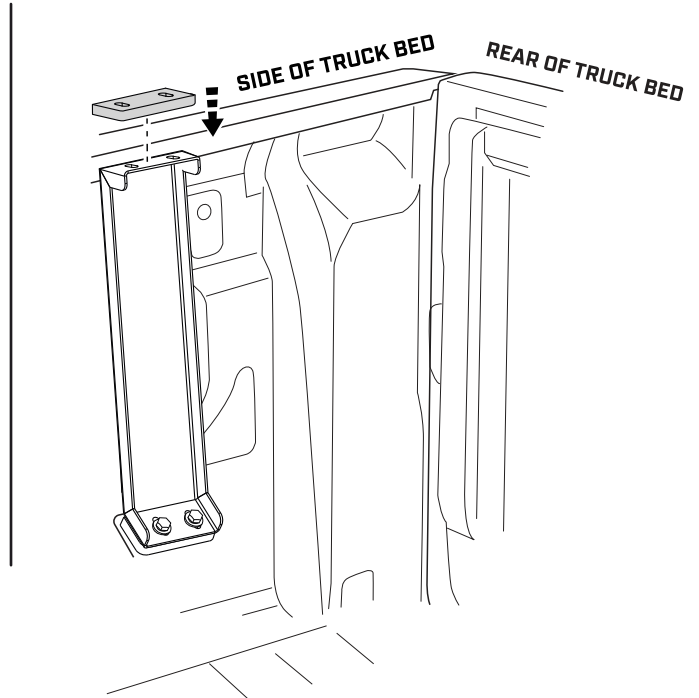
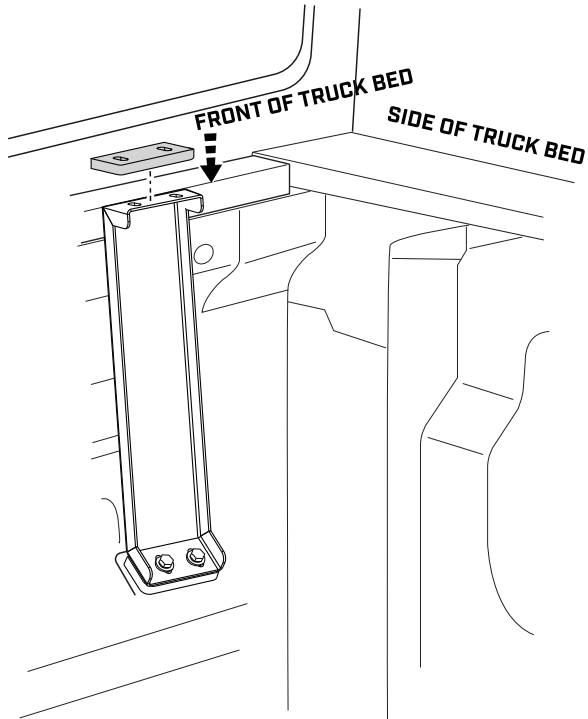
HAND TIGHTEN BOTH REAR BRACKETS TO TRUCK BED WITH M8 BOLT, M8 LOCK WASHER, TIE DOWN HOOK AND M8 FENDER WASHER AS SHOWN.



STEP 3

 4X

POSITION THE FRONT AND REAR MOUNTING PADS ON TOP OF MOUNTING BRACKETS AS SHOWN.

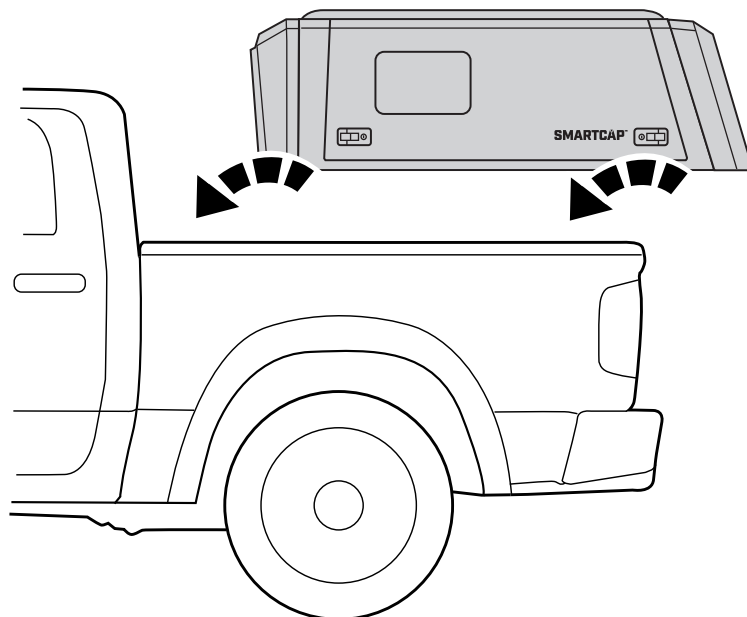


STEP 4

USE 4 PEOPLE TO LIFT THE ASSEMBLED SMARTCAP ONTO THE TRUCK BED.

TO AVOID DAMAGE TO THE D-RUBBER, DO NOT SLIDE THE SMARTCAP INTO PLACE.

4 PERSON JOB

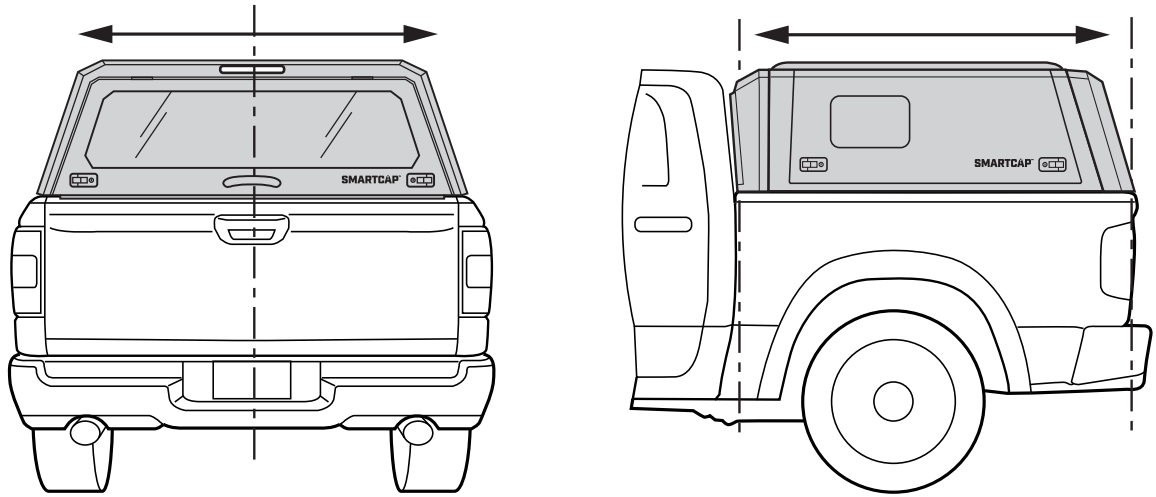


STEP 5



CHECK THAT THE SMARTCAP IS PROPERLY POSITIONED AND CENTERED ON THE TRUCK BED.

IT'S IMPORTANT THAT THE SMARTCAP IS NOT PUSHED TOO FAR FORWARD, LEAVING A GAP BETWEEN THE SMARTCAP AND THE CAB.



STEP 6

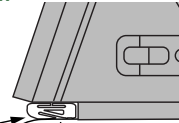
WALK AROUND THE TRUCK BED TO MAKE SURE THE D-RUBBER FITMENT IS CORRECT AND THAT THE RUBBER LIP IS PROPERLY TUCKED UNDERNEATH THE CAP.

CORRECT D-RUBBER ORIENTATION



D-RUBBER

REAR FLANGE



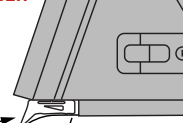
TAILGATE

INCORRECT D-RUBBER ORIENTATION

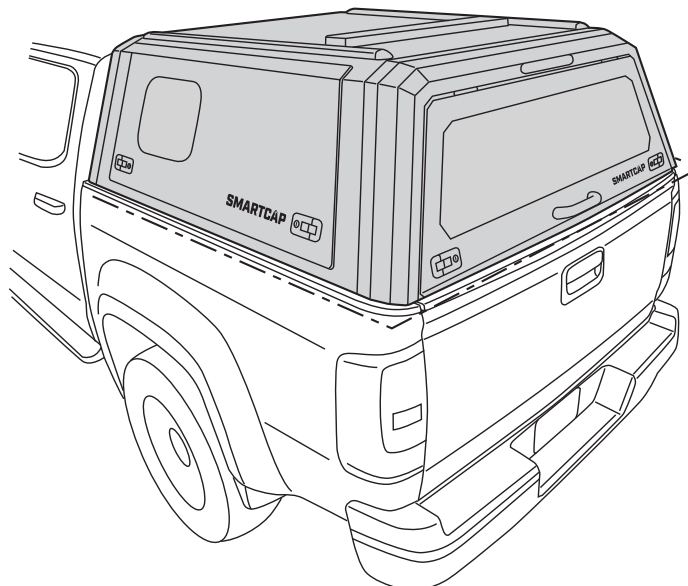


D-RUBBER

REAR FLANGE

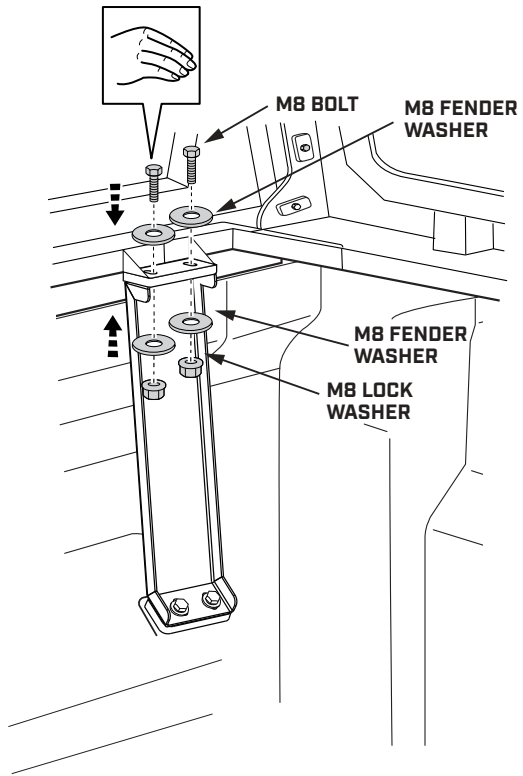
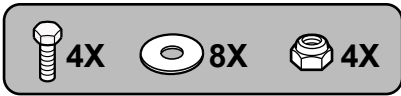


TAILGATE



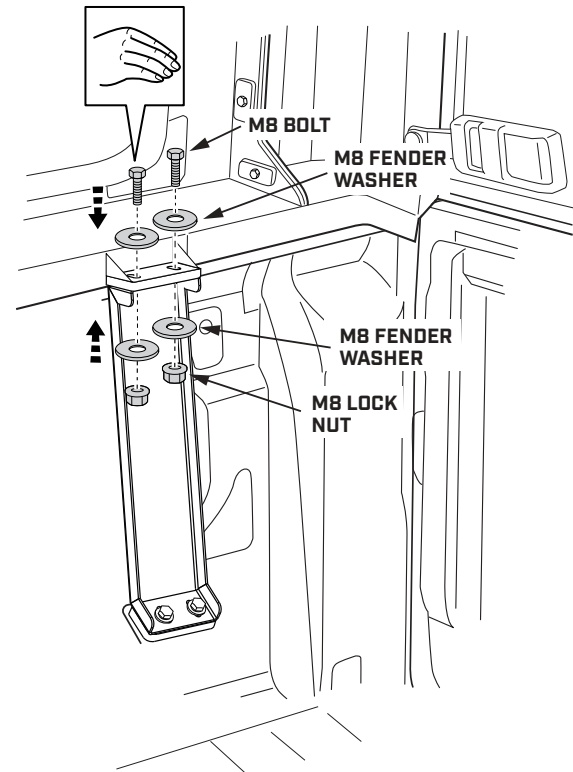
STEP 7

SECURE BOTH FRONT BRACKETS TO THE SMARTCAP WITH M8 BOLTS, M8 FENDER WASHER AND M8 LOCK NUT AS SHOWN, HAND TIGHTEN ONLY.



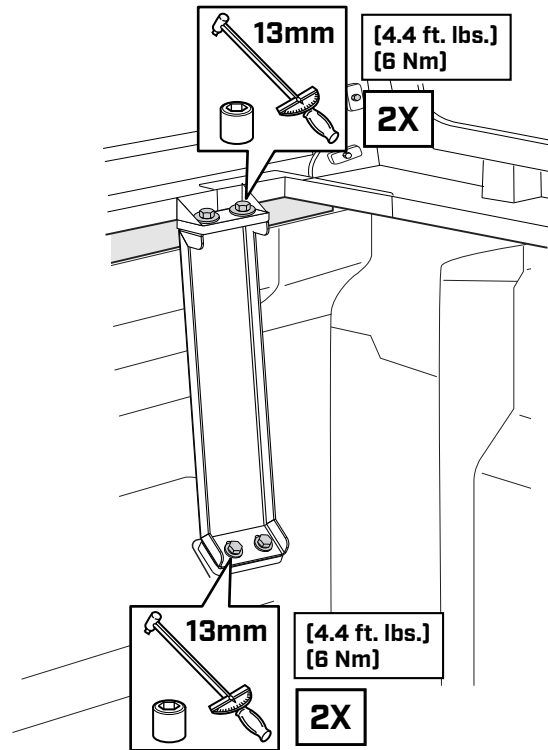
STEP 8

SECURE BOTH REAR BRACKETS TO THE SMARTCAP USING M8 BOLTS, M8 FENDER WASHERS AND M8 LOCK NUT AS SHOWN, HAND TIGHTEN ONLY.



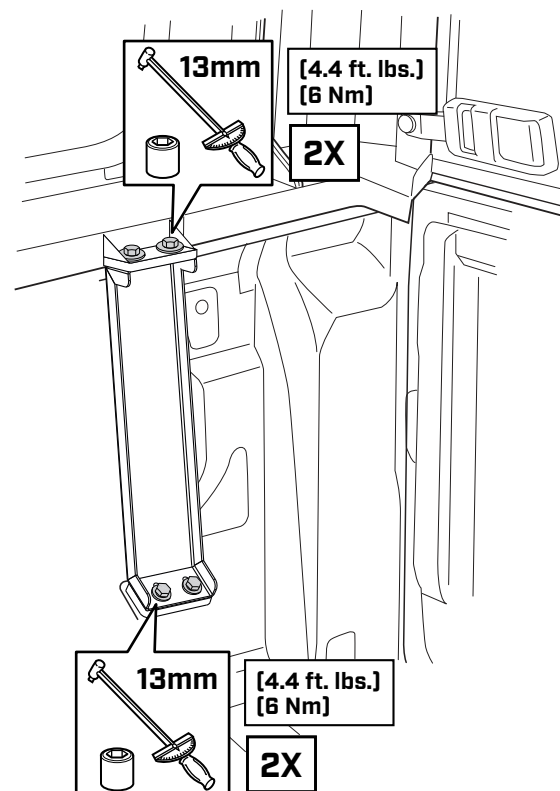
STEP 9

TIGHTEN FASTENERS FOR BOTH FRONT MOUNTING BRACKETS USING THE TORQUE WRENCH AND 13MM SOCKET TO 4.4 FT. LBS. [6NM]



STEP 10

TIGHTEN FASTENERS FOR BOTH REAR MOUNTING BRACKETS USING THE TORQUE WRENCH AND 13MM SOCKET TO 4.4 FT. LBS. [6NM]



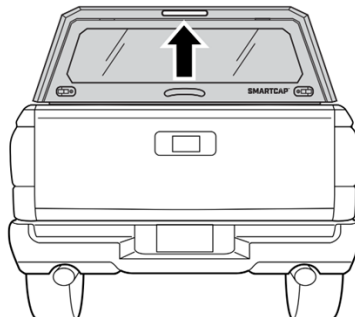
SMARTCAP®

HARNESSES CODES

Ford Ranger (0303/0316)	R-CONNECTOR-519703
Ford Ranger (0309/0320)	FORD-HARN-P703-9370448
Ford Ranger (0305)	FORD-HARN-FORD-EVO
Toyota Hilux (1304)	F-HARN-HILUX-EVO
Toyota Hilux (1307)	F-HARN-HILUX-EVO
Isuzu (0500)	F-HARN-ISUZU-EVO
Mitsubishi Triton (1500/0800)	F-HARN-BRAKE-TRITON-9370385
Mitsubishi Triton (0801)	FORD-HARN-FORD-EVO
Mitsubishi Triton (0802)	FORD-HARN-FORD-EVO
VW Amarok (1451)	FORD-HARN-P703-9370448
VW Amarok (1400)	FORD-HARN-AMAROK-EVO
GWM P300 (0400)	FORD-HARN-GWM P300
Nissan Navara (0900)	FORD-HARN-NISSAN NAVARA

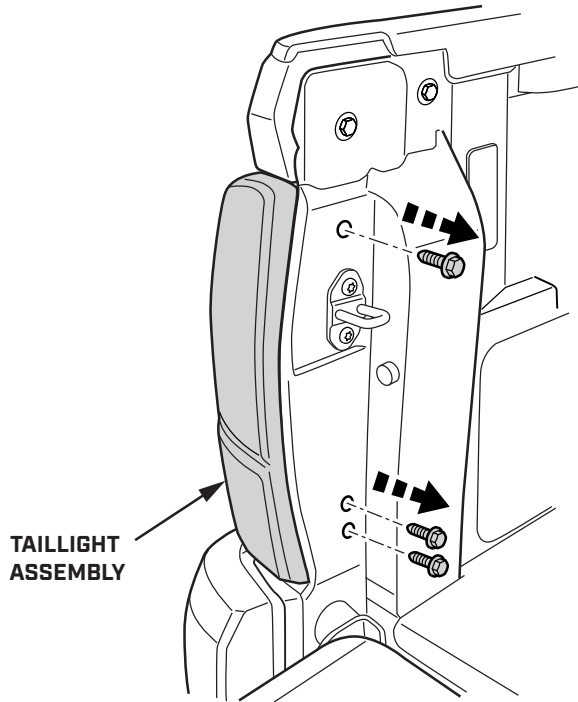
IMPORTANT

- BE SURE THE VEHICLE IS TURNED OFF FOR THIS INSTALLATION.
- READ THROUGH THE ENTIRE PROCEDURE BEFORE STARTING AND FOLLOW.
- THE STEPS CAREFULLY TO ENSURE THE THIRD BRAKE LIGHT WILL FUNCTION PROPELY.
- USE A TEST LIGHT TO CHECK FOR SUCCESSFUL INSTALLATION.

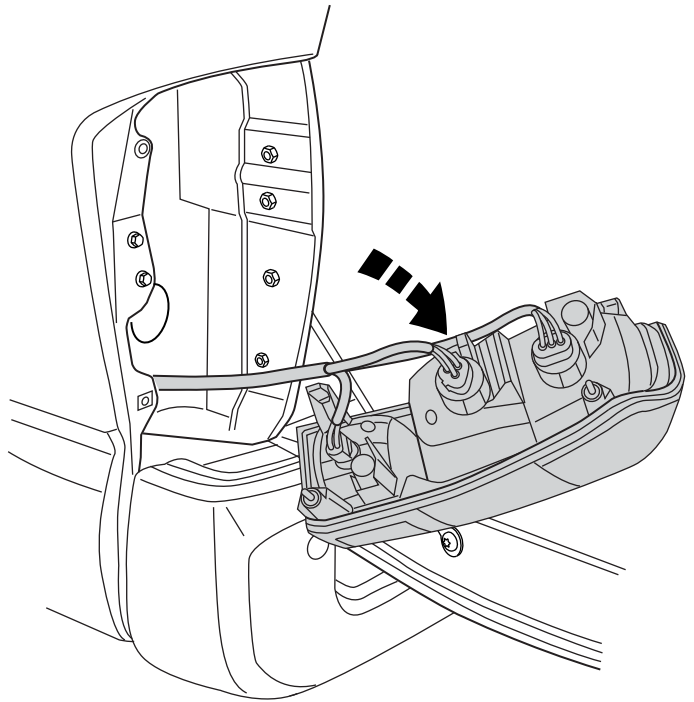


STEP 1

REMOVE THE BOLTS HOLDING THE DRIVER SIDE TAILLIGHT ASSEMBLY.



PLACE THE TAILLIGHT ASSEMBLY CAREFULLY ON THE TAILGATE. DO NOT UNPLUG ANY CONNECTORS.

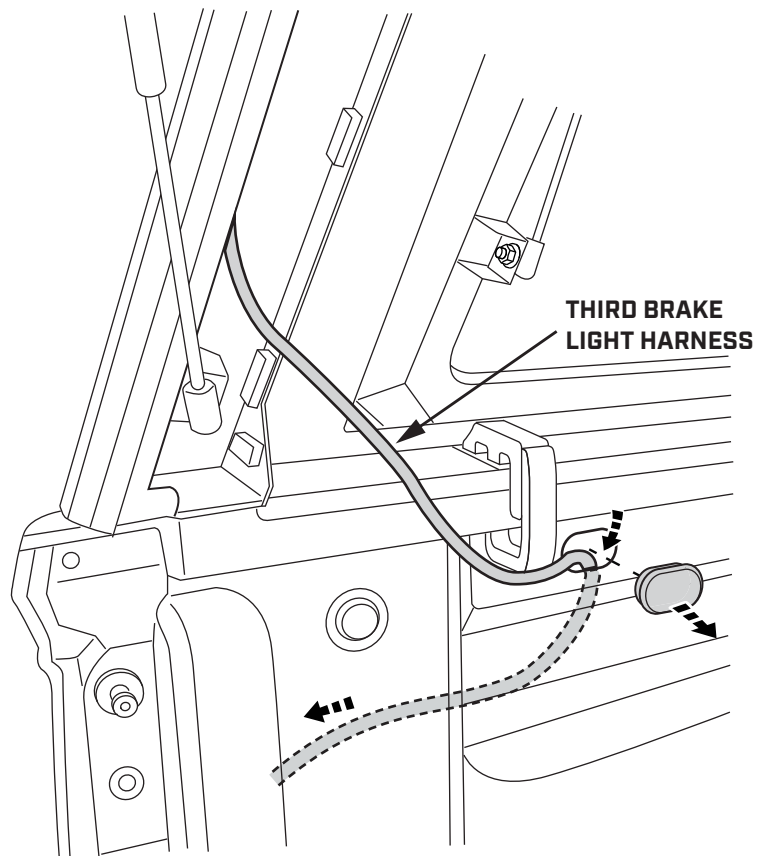


STEP 2

UNTIE THE THIRD BRAKE LIGHT HARNESS FROM WHERE IT IS ATTACHED TO THE SMARTCAP.

REMOVE THE GROMMET COVER AT THE TRUCK BED WALL.

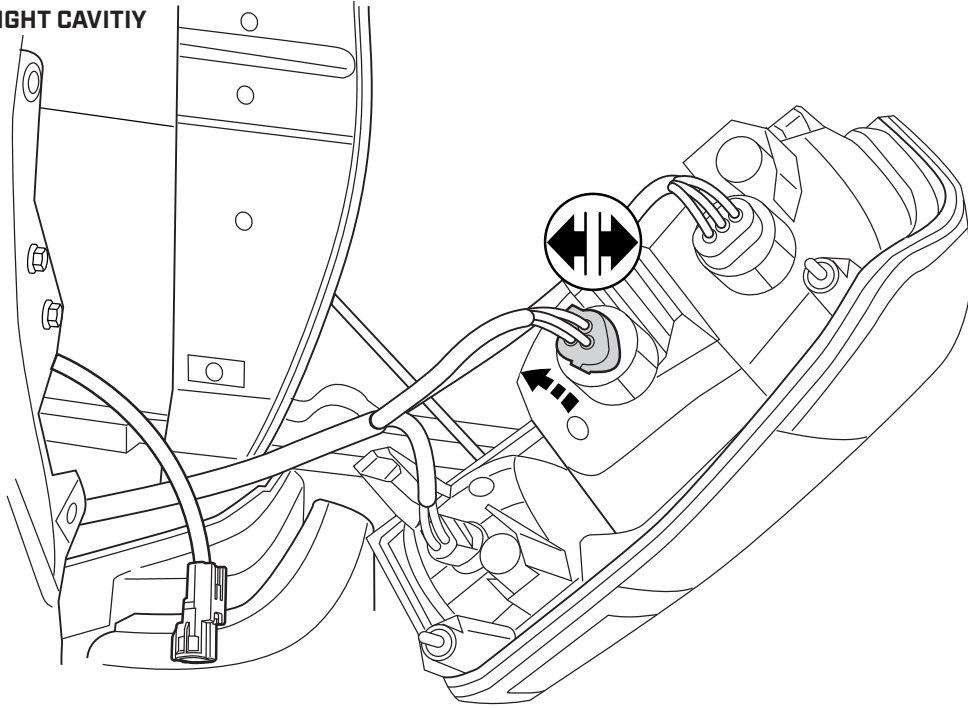
ROUTE THE THIRD BRAKE LIGHT HARNESS IN THROUGH THE GROMMET PANEL OPENING AND OUT THROUGH THE TAILLIGHT CAVITY.



STEP 3

DISCONNECT THE MIDDLE BRAKE LIGHT PLUG AT THE BACK OF THE TAILLIGHT ASSEMBLY.

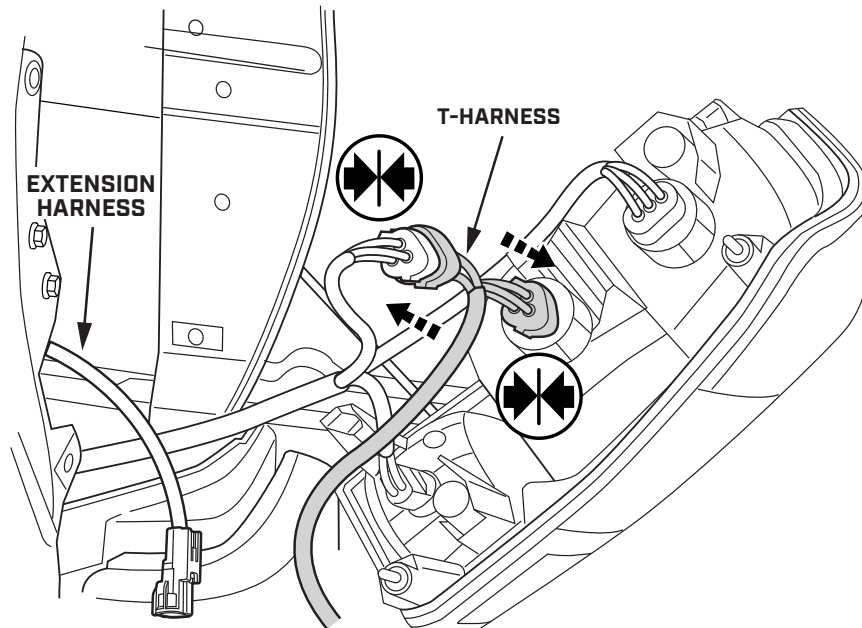
TAILLIGHT CAVITY



STEP 4

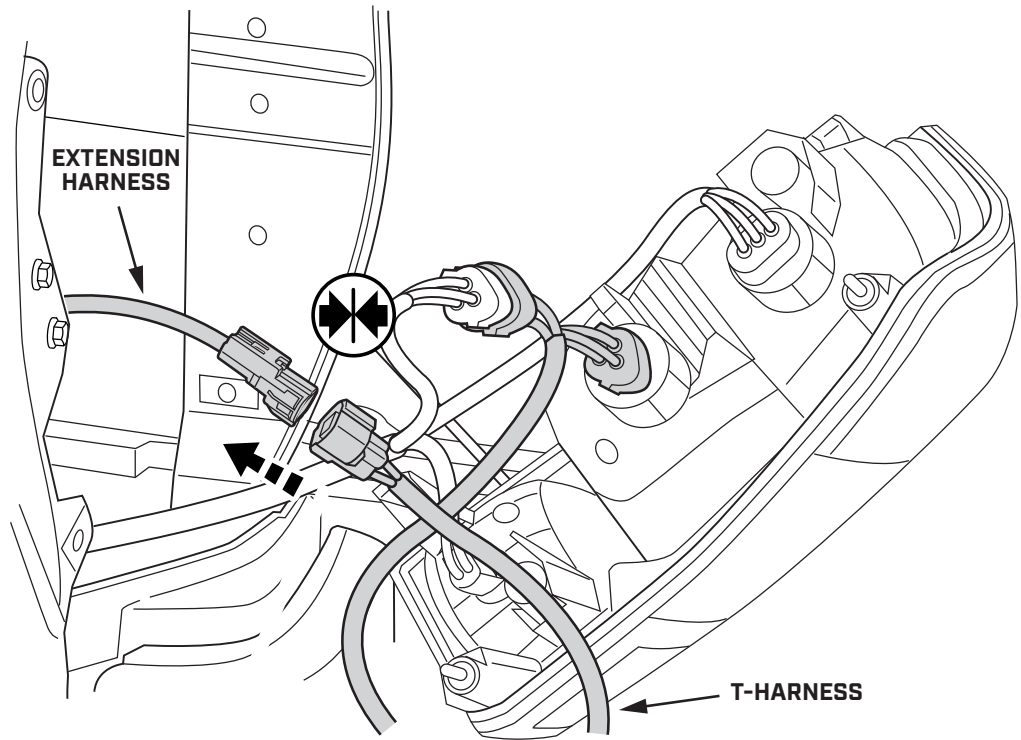
CONNECT THE FEMALE PLUG FROM THE T-HARNESS INTO THE MALE BRAKE LIGHT SOCKET.

CONNECT THE MALE PLUG FROM THE T-HARNESS INTO THE FEMALE BRAKE LIGHT SOCKET.



STEP 5

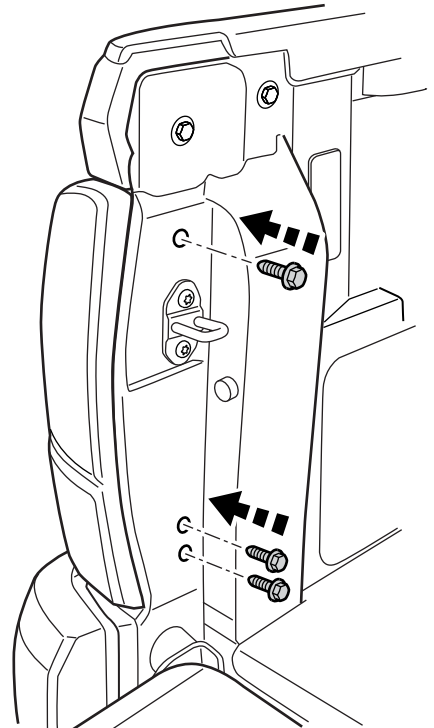
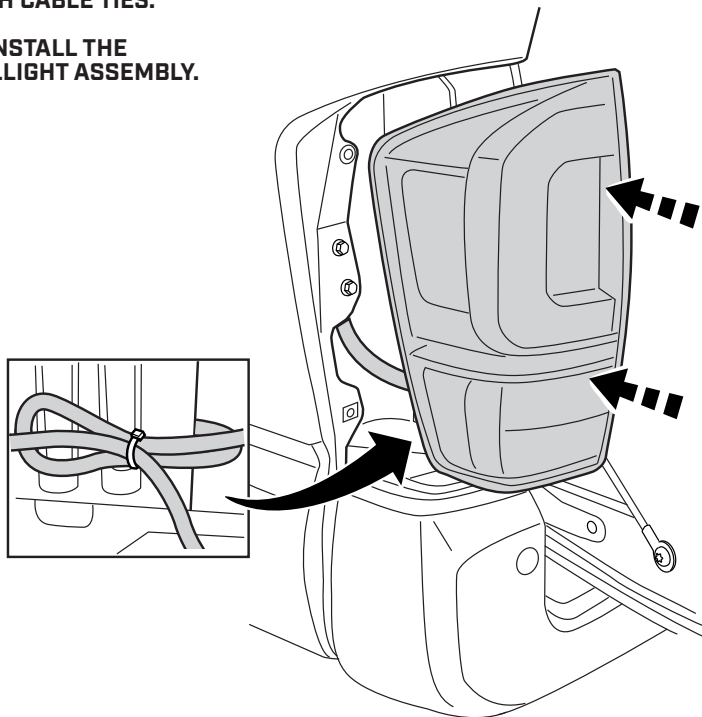
CONNECT THE T-HARNESS TO THE EXTENSION HARNESS.



STEP 6

BUNDLE EXTRA T-HARNESS LENGTH IN THE TAILLIGHT CAVITY AND SECURE WITH CABLE TIES.

REINSTALL THE TAILLIGHT ASSEMBLY.



STEP 7



TEST YOUR BRAKE LIGHTS & TURN SIGNALS

- ▼ START THE TRUCK. SOME MODELS MAY TAKE UP TO 30 SECONDS FOR THE VEHICLE TO DETECT THE NEW CONNECTION.
- ▼ CHECK THE BRAKE LIGHTS AND TURN SIGNALS TO BE SURE THEY ARE FUNCTIONING PROPERLY.
- ▼ ONCE YOU HAVE CONFIRMED THAT THE LIGHTS ARE WORKING CORRECTLY, SECURE THE HARNESS WITH CABLE TIES.
- ▼ BE SURE NOT TO INTERFERE WITH ANY MOVING PARTS ON THE VEHICLE.



THANKS FOR YOUR PURCHASE.
PLEASE LET US KNOW IF YOU HAVE ANY QUESTIONS.

SMARTCAP.COM

SUPPORT.SA@SMARTCAP.COM

